



Exploded Diagrams Galahad rifles

Pneumatic Air Rifles

With proper care your Air Arms air rifle will give you many years of fine reliable service.

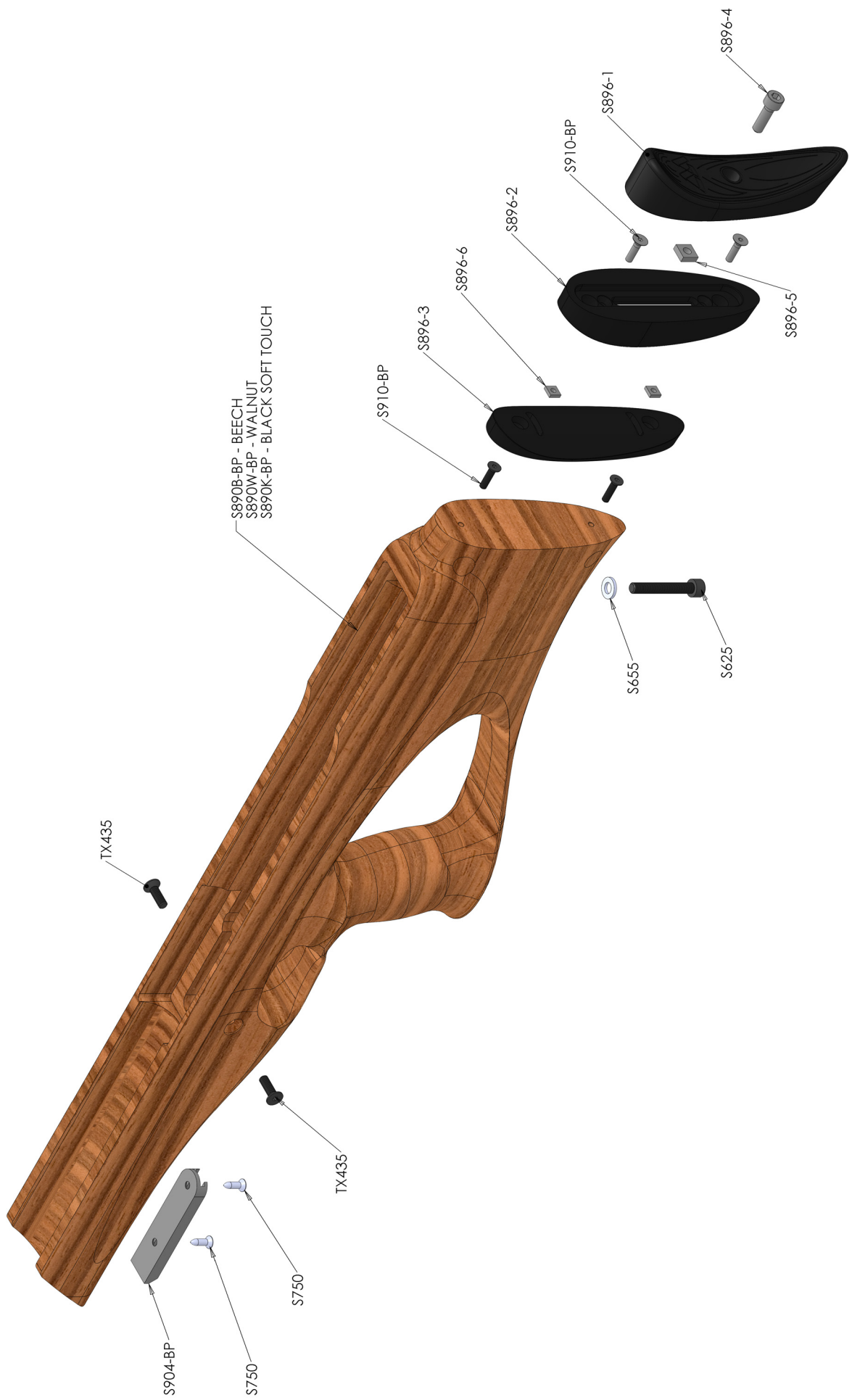
Remember

*Always treat your rifle as if it is loaded.
Never point your rifle at anyone even if unloaded or not cocked.
Always be sure of what lies beyond your target.
Always conduct yourself in a sportsmen like manner.*

*Treat all airguns with care. They are not toys and can severely injure yourself or others and cause damage to property. Always be aware that your actions will be under the scrutiny of other members of the public who may not share your enthusiasm for air guns.
Bad practises promote bad publicity. Do not jeopardise your future enjoyment by misusing this gun.*

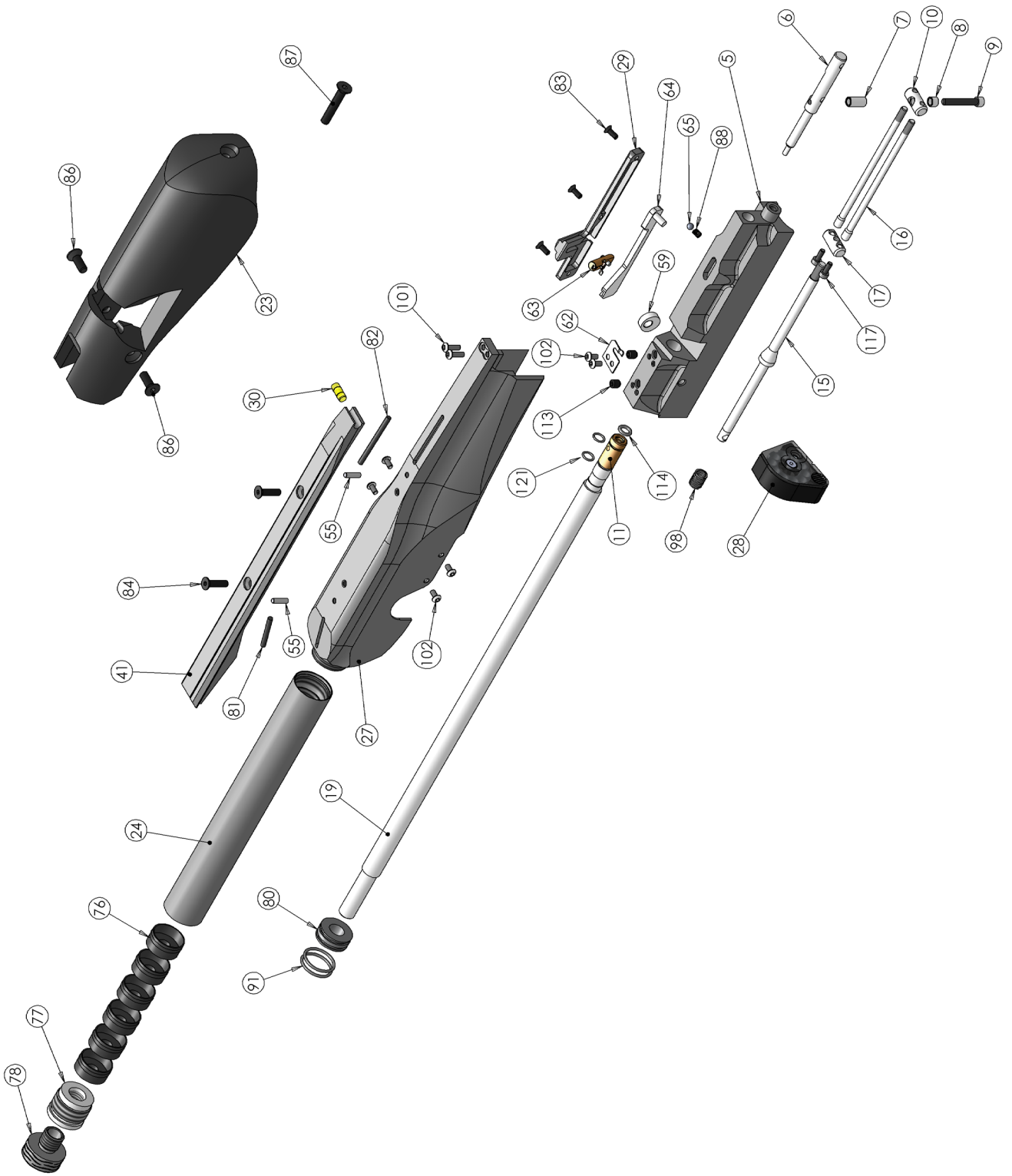
Warning. Pre-Compressed Pneumatic (PCP) air guns work under very high pressure and must NOT be tampered with in any way.

Air Arms reserve the right to alter the construction, appearance or performance of any product without prior notification. All illustrations are for information only and do not necessarily show the exact model that was purchased.



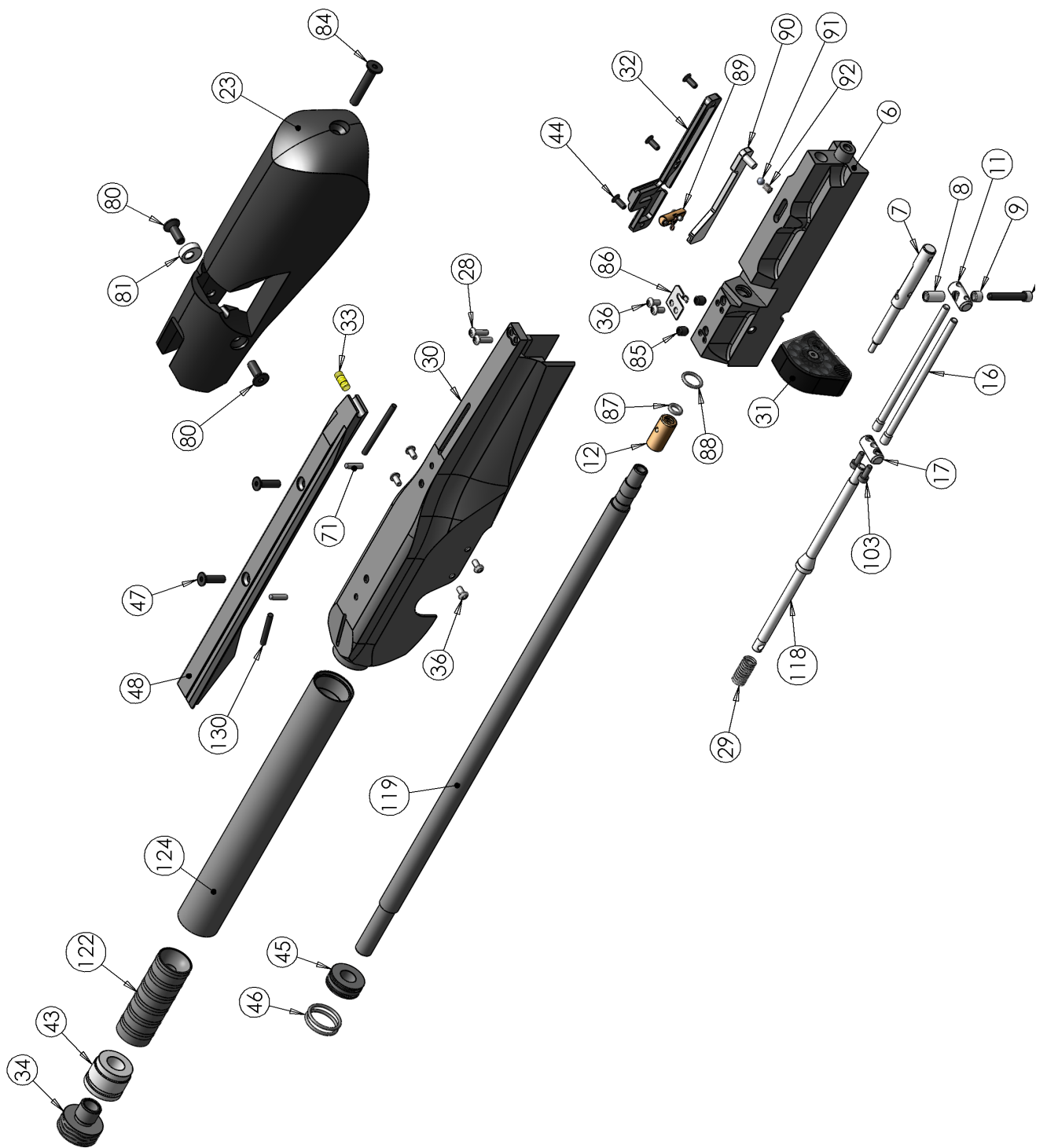
Standard power - Barrel assembly

ITEM NO.	PART NUMBER	DESCRIPTION	QTY.	ITEM NO.	PART NUMBER	DESCRIPTION	QTY.
5	S500-BP	BOLT HSE STD - BULL PUP	1	59	S902-BP	SPACER	1
6	S540A-BP	LOADING BOLT STEM - .177	1	62	S505	MAGAZINE RETAINING CLIP	1
	S540B-BP	LOADING BOLT STE - .22		63	S515A	INDEXING POST ASSY	1
7	S866-BP	TOP SLEEVE	1	64	S560	CAM PLATE	1
8	S864-BP	BOTTOM SLEEVE	1	65	S210-C	4MM BALL BEARING	1
9	S868-BP	M4X14 SOC CAP	1	76	S224-BP	BAFFLE	6
10	S862-BP	REAR LINK JOINT	1	77	S133-BP	SHROUD INSERT - BULLPUP	1
11	S402A	BARREL SEAL HOLDER - .22	1	78	S134-BP	THREAD PROTECTOR	1
	S402B-2	BARREL SEAL HOLDER - .177		80	S600-3-BP	BARREL TUBE SUPPORT	1
15	S854-BP	FRONT LINK ROD	1	81	S838-BP	RAIL SPACER - 24mm	1
16	S858-BP	REAR LINK ROD	2	82	S838-BP	RAIL SPACER - 39mm	1
17	S860-BP	FRONT LINK JOINT	1	83	E795	M3 X 8 CSK SKT	3
19	S401A	BARREL - RIFLE .22	1	84	S322	M4 X 12 CSK SKT - PICATINNY	2
	S401B	BARREL - RIFLE .177		86	S910-BP	M4 X 16 CSK SKT - DOVETAIL	2
	S401F	BARREL - CARBINE .22		87	TX436	M5 X 14 CSK SKT	1
	S401G	BARREL - CARBINE .177		87	JT535	M5 X 30 CSK SKT	1
23	S892-BP	CHEEK PIECE	1	88	S898-BP	DETENT SPRING	1
24	S878L-BP	SHROUD - LONG	1	91	S922-BP	18 X 1.5 NBR70	2
	S878S-BP	SHROUD - LONG		98	S306	FIRING VALVE SPRING	1
27	S840-BP	COVER	1	101	S229	M3 X 10 SKT BTN	2
28	S555A-US	MAGAZINE - .177	1	102	RN193	M3 X 6 SKT BTN	6
	S555B-US	MAGAZINE - .22		113	RN113	M5 X 6 SKT SET CUP PT	2
29	S550-BP	SIDE PLATE	1	114	FP121	BARREL SEAL - .177	1
30	S914-BP	LEVEL	1	S538	BARREL SEAL - .22		
41	S846D-BP	SCOPE RAIL - DOVETAILS	1	117	S565	M3 X 8 SKT CAP	2
	S846P-BP	SCOPE RAIL - PICATINNY		121	S427	6 X 1 NBR70	2
55	E127	3 X 7.8 ROLLER	2				



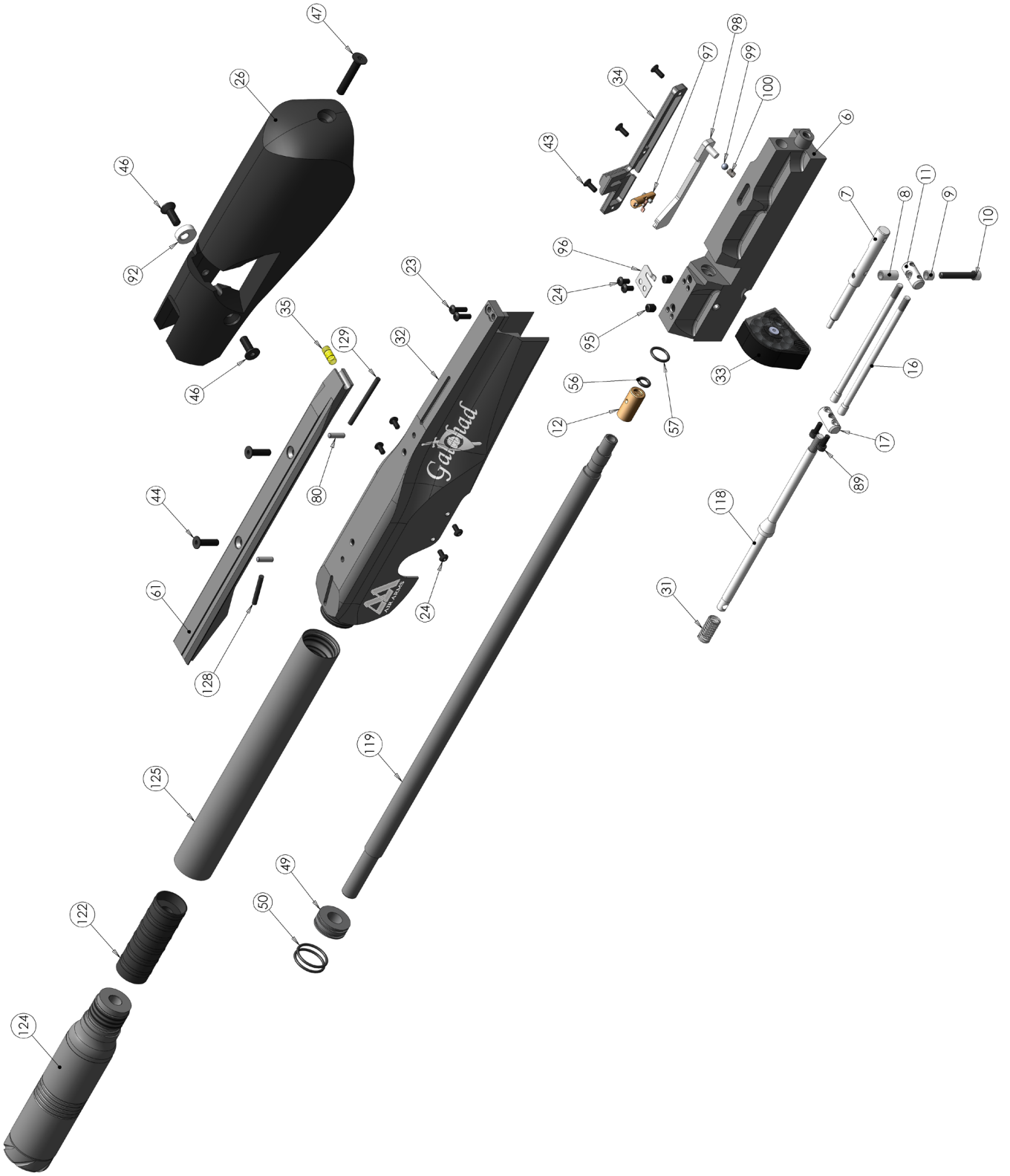
High power - Barrel assembly

ITEM NO.	PART NUMBER	DESCRIPTION	QTY.	ITEM NO.	PART NUMBER	DESCRIPTION	QTY.
6	S500H-BP	BOLT HOUSING - ADJ	1	45	S600-3-BP	BARREL TUBE SUPPORT	1
6	S500HNA-BP	BOLT HOUSING - NON ADJ	1	46	S922-BP	18 X 1.5 NBR70	2
7	S540A-BP	LOADING BOLT STEM - .177	1	47	S322	M4 X 12 CSK SKT - PICATINNY	2
7	S540B-BP	LOADING BOLT STEM - .22	1	47	S910-BP	M4 X 16 CSK SKT - DOVETAIL	2
7	S540C-BP	LOADING BOLT STEM - .25 (Rifle only)	1	48	S846P-BP	SCOPE RAIL - PICATINNY	1
8	S866-BP	TOP SLEEVE	1	48	S846D-BP	SCOPE RAIL - DOVETAILS	1
9	S864-BP	BOTTOM SLEEVE	1	71	E127	3x11.8 Roller	2
10	S868-BP	M4 X 14 SOC CAP	1	80	TX436	M5 X 14 CSK SKT	2
11	S862-BP	REAR LINK JOINT	1	81	S902-BP	SPACER	1
12	S402AH	BARREL SEAL HOLDER - .22	1	84	JT535	M5 X 30 CSK SKT	1
12	S402BH-2	BARREL SEAL HOLDER - .177	1	85	RN113	M5 X 6 SKT SET CUP PT	2
12	S402AH-BP	BARREL SEAL HOLDER - .22 NON ADJ	1	86	S505	MAGAZINE RETAINING CLIP	1
12	S402BH-BP	BARREL SEAL HOLDER - .177 NON ADJ	1	87	FP121	BARREL SEAL - .177	1
16	S858-BP	REAR LINK ROD	2	87	S538	BARREL SEAL - .22	1
17	S860-BP	FRONT LINK JOINT	1	87	FP122	BARREL SEAL - .25	1
23	S892-BP	CHEEK PIECE	1	88	S337	10 X 1.5 NBR 70	1
28	S229	M3 X 10 SKT BTN	2	89	S515A	INDEXING POST ASSY	1
29	S306	SPRING	2	90	S560	CAM PLATE	1
30	S840-BP	COVER	1	91	S210-C	4MM BALL BEARING	1
31	S555A-US	MAGAZINE 10 SHOT - .177	1	92	S898-BP	DETENT SPRING	1
31	S555B-US	MAGAZINE 10 SHOT - .22	1	103	S565	M3 X 8 SKT CAP	2
31	S555C-US	MAGAZINE 10 SHOT - .25	1	118	S854-BP	FRONT LINK ROD	1
31	S558-US	MAGAZINE 5 SHOT - 177	1	119	S401F	BARREL - .22 CARBINE	1
31	S557-US	MAGAZINE 5 SHOT - .22	1	119	S401G	BARREL - .177 CARBINE	1
31	S554-US	MAGAZINE 5 SHOT - .25	1	119	S401A	BARREL - .22 RIFLE	1
32	S550-BP	SIDE PLATE	1	119	S401B	BARREL - .177 RIFLE	1
33	S914-BP	LEVEL	1	119	S401J-BO	BARREL - .25 RIFLE	1
34	S134-BP	THREAD PROTECTOR	1	122	S224-2-BP	BAFFLE - MK2	6
36	RN193	M3 X 6 SKT BTN	6	124	S878S-BP	SHORT SHROUD	1
43	S133-BP	SHROUD INSERT	1	124	S878L-BP	LONG SHROUD	1
44	E795	M3 X 8 CSK SKT	3	124	S878LJ-BP	LONG SHROUD (JAPANESE SPEC)	1
				130	S838-BP	RAIL SPACER - 24mm	1



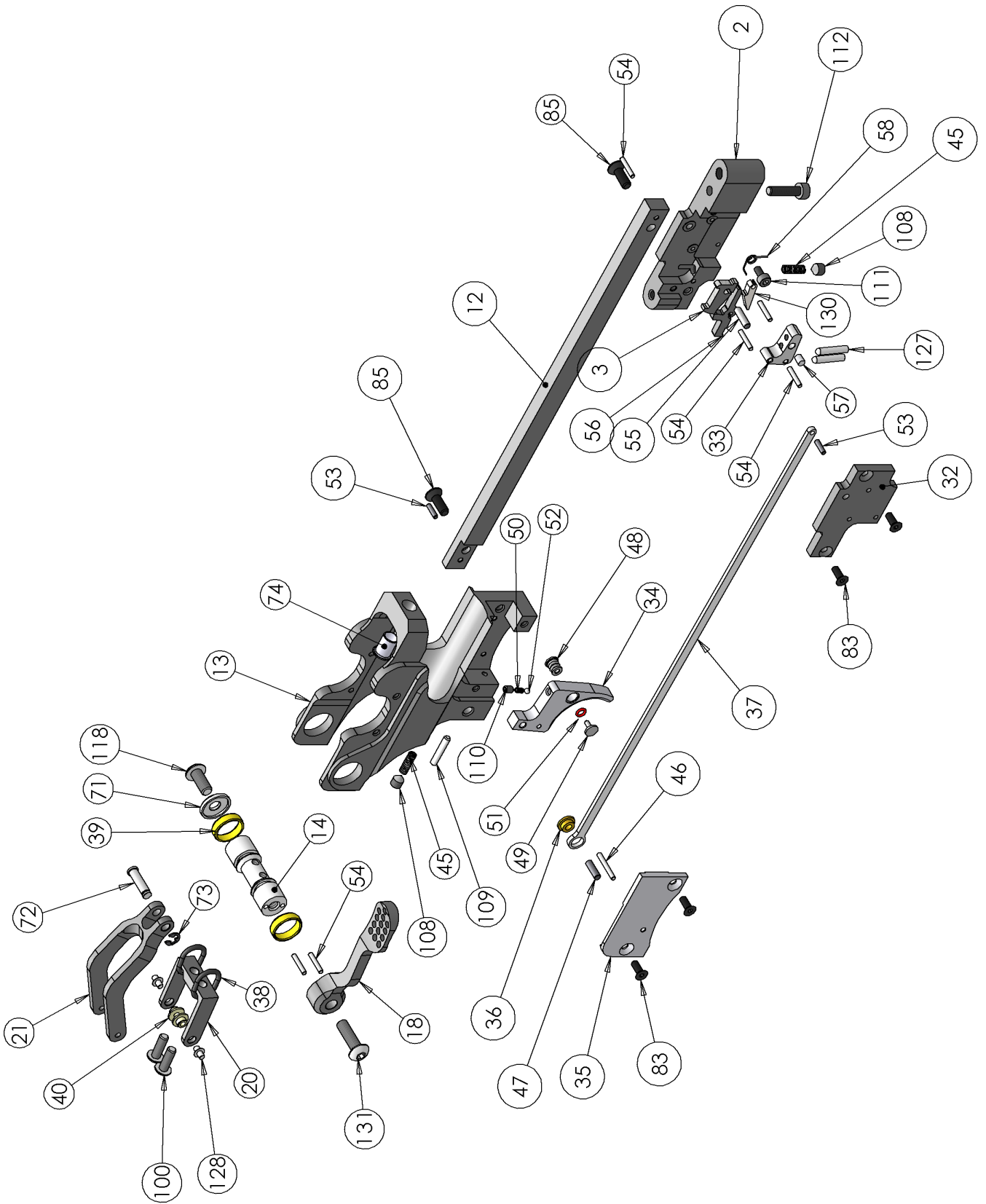
High power (USA Spec) - Barrel assembly

ITEM NO.	PART NUMBER	DESCRIPTION	QTY.	ITEM NO.	PART NUMBER	DESCRIPTION	QTY.
6	S500H-BP	BOLT HOUSING - ADJ	1	49	S600-3-BP	BARREL TUBE SUPPORT	1
	S500HNA-BP	BOLT HOUSING - NON ADJ		50	S922-BP	18 X 1.5 NBR70	2
7	S540A-BP	LOADING BOLT - .177	1	56	FP121	BARREL SEAL - .177	1
	S540B-BP	LOADING BOLT - .22			S538	BARREL SEAL - .22	
	S540C-BP	LOADING BOLT - .25			FP122	BARREL SEAL - .25	
8	S866-BP	TOP SLEEVE	1	57	S337	10 X 1.5 NBR70	1
9	S864-BP	BOTTOM SLEEVE	1	61	S846D-BP	SCOPE RAIL - DOVETAILS	1
	S868-BP	M4 X 14 SKT CAP	1		S846P-BP	SCOPE RAIL - PICATINNY	
11	S862-BP	REAR LINK JOINT	1	80	TX398	3 X 11.8 ROLLER	2
12	S402AH	BARREL SEAL HOLDER - .22	1	89	S565	M3 X 8 SKT CAP	2
	S402BH-2	BARREL SEAL HOLDER - .177		92	S902-BP	SPACER	1
	S402AH-BP	BARREL SEAL HOLDER - .22 NON ADJ		95	RN113	M5 X 6 SKT SET CUP PT	2
	S402BH-BP	BARREL SEAL HOLDER - .177 NON ADJ		96	S505	MAGAZINE RETAINING CLIP	1
16	S858-BP	REAR LINK ROD	2	97	S515A	INDEXING POST ASSY	1
17	S860-BP	FRONT LINK JOINT	1	98	S560	CAM PLATE	1
23	S229	M3 X 10 SKT BTN	2	99	S210-C	4mm BALL BEARING	1
24	RN193	M3 X 6 SKT BTN	6	100	S898-BP	DETENT SPRING	1
26	S892-BP	CHEEK PIECE	1	118	S854-BP	FRONT LINK ROD	1
31	S306	SPRING	1	119	S401F	CARBINE BARREL - .22	1
	S840-BP	COVER	1		S401G	CARBINE BARREL - .177	
33	S555A-US	MAGAZINE 10 SHOT - .177	1	122	S401A	RIFLE BARREL - .22	1
	S555B-US	MAGAZINE 10 SHOT - .22			S401B	RIFLE BARREL - .177	
	S555C-US	MAGAZINE 10 SHOT - .25			S401J-BO	RIFLE BARREL - .25	
34	S550-BP	SIDE PLATE	1	S224-2-BP	BAFFLE	6	
35	S914-BP	LEVEL	1	124	S710S-BP-177	MODERATOR - .177	1
43	E795	M3 X 8 CSK SKT	3	125	S710S-BP-22	MODERATOR - .22	1
	S910-BP	M4 X 16 CSK SKT - DOVETAIL RAIL ONLY	2		S878S-BP	SHORT SHROUD	
44	S322	M4 X 12 CSK SKT - PICATINNY RAIL ONLY	2	128	S878L-BP	LONG SHROUD	1
46	TX436	M5 X 14 CSK SKT	2	129	S838-BP	RAIL SPACER - 24mm	1
47	JT535	M5 X 30 CSK SKT	1		S838-BP	RAIL SPACER - 39mm	1



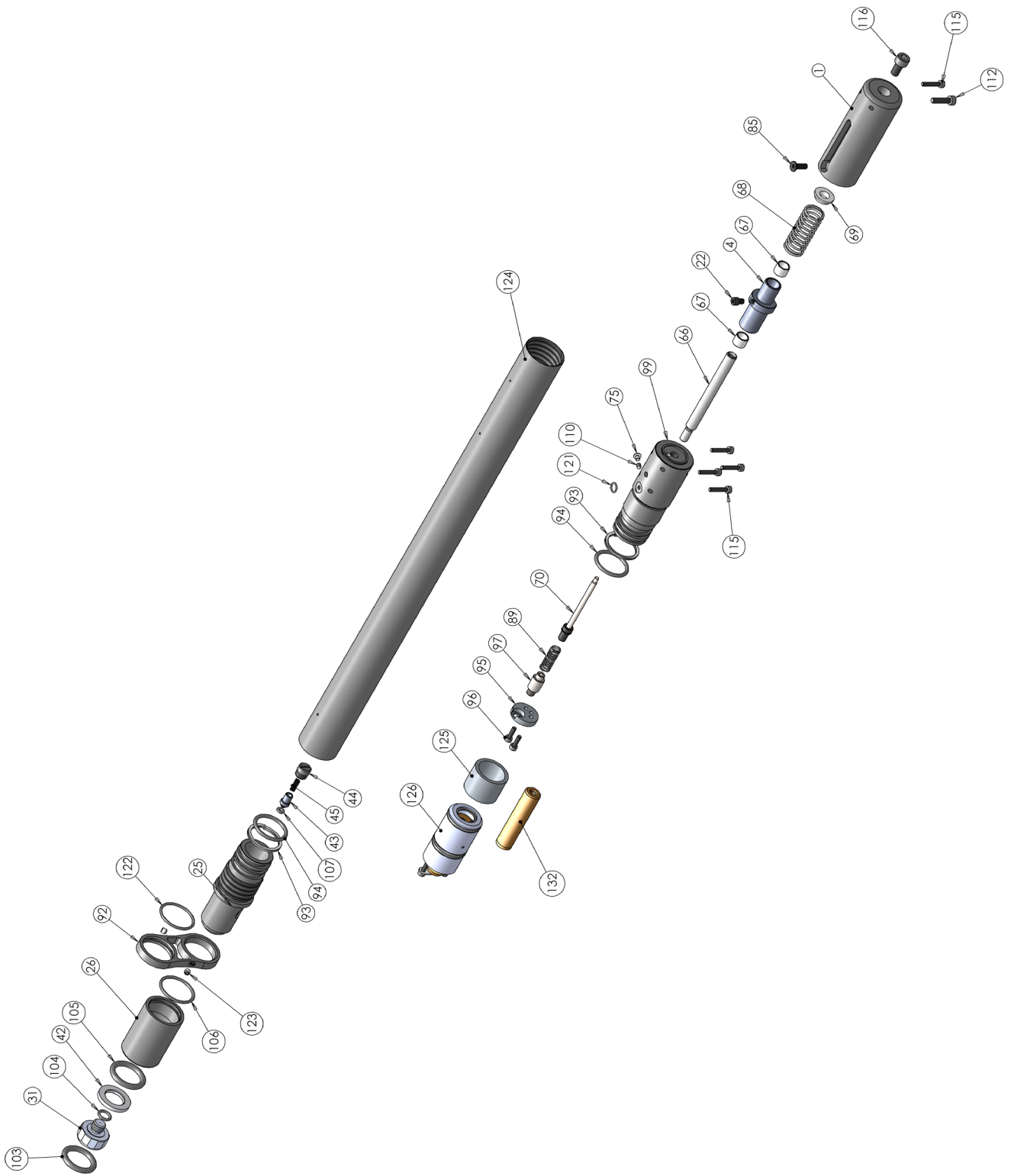
Cocking mechanism assembly

ITEM NO.	PART NUMBER	DESCRIPTION	QTY.	ITEM NO.	PART NUMBER	DESCRIPTION	QTY.
2	S313-BP	REAR CHASSIS	1	52	S523	3/32" BALL BEARING	1
3	S320-2	TOP SEAR	1	53	E705	2 X 8 DOWEL	2
12	S870-BP	BRACE	1	54	S326	2 X 11.8 ROLLER	6
13	S842-BP	FRONT CHASSIS	1	55	TX398	3 X 11.8 ROLLER	1
14	S856-BP	COCKING LEVER SHAFT	1	56	S325-2	MIDDLE SEAR	1
18	S844-BP	COCKING LEVER	1	57	TX432	ADJUSTER SCREW LOCKING PAD	1
20	S850-BP	BOTTOM LEVER	1	58	S495	TOP SEAR SPRING	1
21	S852-BP	TOP LEVER	1	71	S888-BP	SHAFT COVER	1
32	S318-BP	CHASSIS COVER PLATE	1	72	PS301	SLIDING LINK PIN	1
33	S876-BP	TRIGGER BLOCK	1	73	TX305	E CLIP N1500-015	1
34	S420-BP	TRIGGER	1	74	S908-BP	LINK BEARING	1
35	S848-BP	FORWARD CHASSIS COVER PLATE	1	83	E795	M3 X 8 CSK SKT	4
36	S872-BP	REMOTE LINK BUSH	1	85	S322	M4 X 12 CSK SKT	2
37	S874-BP	REMOTE LINK	1	100	JT127	M4 X 12 SKT BTN	2
38	FP231	9 X 2 70 SHURE O RING	2	108	TX381	M5 X 6 SKT SET CONE PT TUFF LOC	2
39	S916-BP	COCKING LEVER SHAFT BEARING	2	109	TX431M	M3 X 16 SKT SET FT PT	1
40	S918-BP	LEVER BEARING	2	110	RN191	M3 X 5 SKT SET CONE PT TUFF LOC	1
45	S319	FILLING VALVE SPRING	2	111	S496	M3 X 6 SKT CAP	1
46	S425	2 X 15.8 ROLLER	1	112	TX236	M4 X 16 SKT CAP	1
47	E690	4 X 10 DOWEL	1	118	RN430	M5 X 12 SKT BTN	1
48	S521-2A	SAFETY BUTTON - PART ONE	1	127	TX431	M3 X 16 SKT SET DOME	2
49	S521-2B	SAFETY BUTTON - PART TWO	1	128	S906-BP	PIVOT PIN	2
50	S522	SAFETY BUTTON SPRING	1	130	S321-BP	BOTTOM SEAR	1
51	S526	SAFETY BUTTON O RING	1	131	JT416	M5 X 18 SKT BTN	1



Standard power - Cylinder assembly

ITEM NO.	PART NUMBER	DESCRIPTION	QTY.	ITEM NO.	PART NUMBER	DESCRIPTION	QTY.
1	S317-BP	STRIKER BODY	1	95	S924-BP	SPRING RETAINER	1
4	S520-SL	STRIKER - SIDE LEVER	1	96	FP295	M3 X 10 SKT CAP	2
22	S356H	STRIKER SCREW	1	97	S365-BP	POT SPRING GUIDE	1
25	S882-BP	GAUGE BODY	1	99	S507-BP	FIRING VALVE BODY STD	1
26	S886-BP	GAUGE COVER	1	103	RN241	20 X 4 NBR70	1
31	S645	INDICATOR GAUGE	1	104	RN219-9	BS011 NBR70	1
42	E645-3	RETAINING RING	1	105	E645-4	21 X 4 NBR70	1
43	AF440	FILLING VALVE	1	106	S900-BP	25 X 2 NBR70	1
44	AF430	FILLING VALVE SPRING RETAINER	1	107	S327	BS005 NBR90	1
45	S319	FILLING VALVE SPRING	1	110	RN191	M3 X 5 SKT SET CONE PT TUFF LOC	1
66	S340	STRIKER ROD	1	112	TX236	M4 X 16 SKT CAP	1
67	S520-1	BUSH	2	115	RN102A	M3 X 16 SKT CAP	5
68	JT331	MAIN SPRING (REGULATED MODELS)	1	116	RN135	M6 X 16 SKT CAP ST/ST	1
	S331	MAIN SPRING (NON REGULATED MODELS)		121	S427	6 X 1 NBR70	1
69	S530	SPRING GUIDE (NON REGULATED MODELS)	1	122	RN232	BS022 NBR70	1
	JT530	SPRING GUIDE (REGULATED MODELS)		123	TX228	M4 X 4 SKT SET FT PT	2
70	S370	FIRING VALVE ASSY	1		S894S-R	CYL TUBE - CARBINE - REG	
75	S680AT	ANTI TAMPER SCREW (UK only)	1	124	S894S	CYL TUBE - CARBINE - NON REG	1
85	S322	M4 X 12 CSK SKT	1		S894L-R	CYL TUBE - RIFLE - REG	
89	S306	FIRING VALVE SPRING	1		S894L	CYL TUBE - RIFLE - NON REG	
92	S880-BP	FRONT CLAMP	1	125	S920-6	SPACER (REGULATED MODELS ONLY)	1
93	S837	23 X 2.5 BACKUP RING	2	126	S920A	REGULATOR (REGULATED MODELS ONLY)	1
94	S836	23 X 2.5 NBR90	4	132	S360-BP	POT (NON REGULATED MODELS ONLY)	1



High power - Cylinder assembly

ITEM NO.	PART NUMBER	DESCRIPTION	QTY.	ITEM NO.	PART NUMBER	DESCRIPTION	QTY.
1	S507G-BP	FIRING VALVE BODY - LOCKABLE	1	93	RN102A	M3 X 16 SKT CAP	4
	S507ENA-BP	FIRING VALVE BODY - NON ADJ		94	S340	STRIKER ROD	1
	S507H-BP	FIRING VALVE BODY		95	S520-1	BUSH	2
5	S520E	STRIKER - NON ADJ & NON REG	1	96	S331H	MAIN SPRING	1
	S520-UL	STRIKER TAIWAN SPEC		97	S530H	MAIN SPRING REAR GUIDE	1
21	S520E-BP	STRIKER ADJ & REGULATED	1	99	S370HR-BP	FIRING VALVE ASSY	1
25	S356H	STRIKER SCREW	1		S508L-BP	POWER ADJ KNOB - LOCKABLE	
26	S882-BP	GAUGE BODY	1	100	S508UL-BP	POWER ADJ KNOB - TAIWAN SPEC	1
27	S880-BP	FRONT CLAMP	1		S508-BP	POWER ADJUSTER KNOB	
29	S886-BP	GAUGE COVER	1	101	S519	2.5 X 1.5 NBR70	2
35	S306	FIRING VALVE SPRING	1	102	S517	3/32 X 1/4 PIN	1
49	TX228	INDICATOR GAUGE	1	113	S610H	FIRING VALVE BODY SEAL	1
50	RN241	M4 X 4 SKT SET FT PT	2	120	S920-6-HP	SPACER HIGH POWER (REG ONLY)	1
51	RN219-9	20 X 4 NBR70	1		S920A-130	REGULATOR 130BAR (MODEL SPECIFIC)	
52	E645-3	BS011 NBR70	1	121	S920A-150	REGULATOR 150BAR (MODEL SPECIFIC)	1
53	E645-4	RETAINING RING	1		S894S	CYLINDER - CARBINE (NON REG)	
54	S900-BP	21 X 4 NBR70	1	123	S894S-R	CYLINDER - CARBINE (REGULATED)	1
55	AF440	25 X 2 NBR70	1		S894L	CYLINDER - RIFLE (NON REG)	
56	AF430	FILLING VALVE	1		S894L-R	CYLINDER - RIFLE (REGULATED)	
57	S319	F/VALVE SPRING RETAINER	1	125	S924-BP	SPRING RETAINER	1
58	S327	FILLING VALVE SPRING	1	126	FP295	M3 X 10 SKT CAP	2
65	S522	BS005 NBR90	1	127	S836	23 X 2.5 NBR90	4
67	S528	SPRING	2	128	RN232	BS022 NBR70	1
68	S524	3/32" BALL BEARING	1	129	S837	23 X 2.5 BACKUP RING	2
		M3 X 4 SKT SET CONE PT	2	132	S365-BP	POT SPRING GUIDE	1
				133	S360-BP	POT (NON REG ONLY)	1

